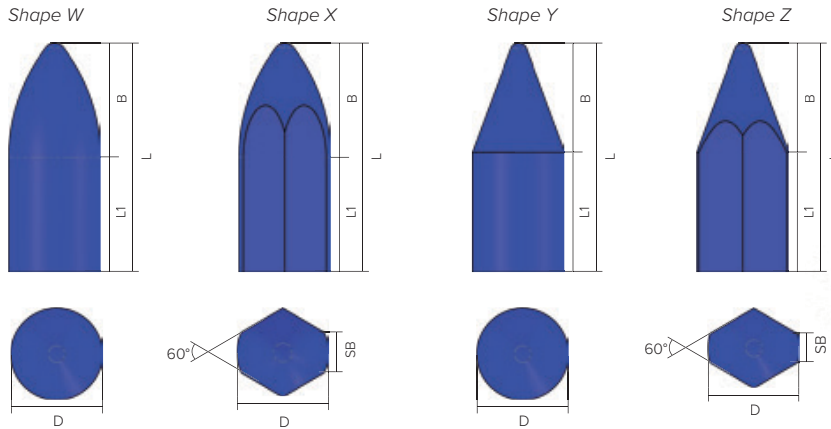


# STANDARD LOCATION PINS

## PRINTABLE SELECTION GUIDE

### Ceramic Shapes



**D** = Diameter    **L1** = cylinder length    **L** = Overall length of the ceramic (L1 + B)  
**B** = Length of the transition (D x 1.25)    **SB** = Tip width

### Diameter of Ceramic Body (L1)

Diameter can be selected in steps of 0,1 mm								
8-10	10-12	12-15	15-20	20-25	25-30	30-35	35-40	>40

### Tip width (SB)

Tip width (SB)								
3.0	3.5	4.0	4.5	5.0	7.0	7.5	8.0	9.0

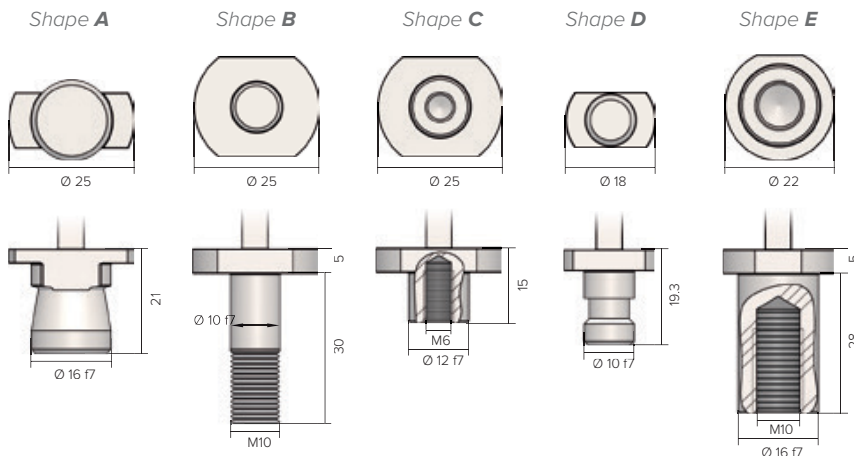
### Selection of the cylinder length (L1)

Cylinder length can be selected in steps of 0,1 mm								

### Tolerance

M	N	O	P	Q	R	S
0 / -0.05	0 / -0.1	-0.1 / -0.15	-0.1 / -0.2	-0.15 / -0.2	-0.2 / -0.3	-0.25 / -0.3

### Steel feet



Use this guide with the quote request form at [geschmidt.com/doceram](http://geschmidt.com/doceram) or send your specifications to G.E. Schmidt at [sales@geschmidt.com](mailto:sales@geschmidt.com)



Location Pins  
 Nut Welding Pins  
 Screw Head Insulators  
 Insulating Plates  
 Fixture Dowels  
 Custom Pieces & Tooling  
 Ceramic MIG Nozzles

DISTRIBUTED IN NORTH AMERICA BY



**G.E. Schmidt**

(513) 489-5130 (phone)

(513) 489-5132 (fax)

[sales@geschmidt.com](mailto:sales@geschmidt.com)